

## Coffee System

# TANGO ACEMT, 1 group full-automatic machine

ITEM # \_\_\_\_\_

MODEL # \_\_\_\_\_

NAME # \_\_\_\_\_

SIS # \_\_\_\_\_

AIA # \_\_\_\_\_


**602559 (TANGOACEMT)**

Full-automatic machine, 1 group, 220x40 ml espresso cup/hr, 6,5 liter steam/coffee boiler, 1x1,7 kg coffee hopper for beans, 0,8- 1,5 kg hopper for powder, programmable water and steam

### Short Form Specification

**Item No.** \_\_\_\_\_

The super automatic multi-products Tango® ACE MT fully takes advantage of the exceptional extraction quality that has established the reputation of the TANGO® range, and the ability to work with powdered products such as cocoa.

The 48 hot drinks menu , for breakfast or gourmet coffee breaks along the day, is fully programmable through the 7" touch screen interface.

Delivery capacity:  
 Espresso 40ml: 220 cups/h  
 Lungo 100ml: 150 cups/h  
 Hot water: 30 L/h

### Main Features

- 1 group full-automatic machine.
- 6.5 liter steam/coffee boiler.
- Auto cleaning program.
- Programmable water and steam.
- The 48 hot drinks menu , for breakfast or gourmet coffee breaks along the day, is fully programmable through the 7" touch screen interface.
- The super automatic multi-products Tango® ACE MT fully takes advantage of the exceptional extraction quality that has established the reputation of the TANGO® range, and the ability to work with powdered products such as cocoa.
- Delivery capacity:  
 Espresso 40ml: 220 cups/h  
 Lungo 100ml: 150 cups/h  
 Hot water: 30 L/h

### Construction

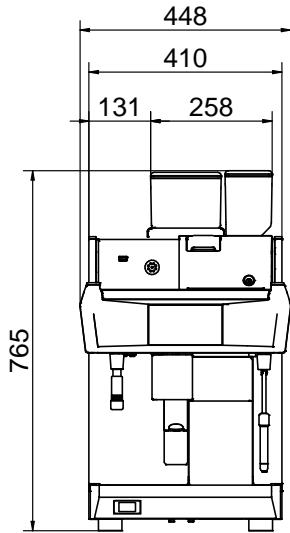
- 1 x 1,7 kg coffee hopper & grinders + (0,8 at 1,5) kg hopper for powder.

### Optional Accessories

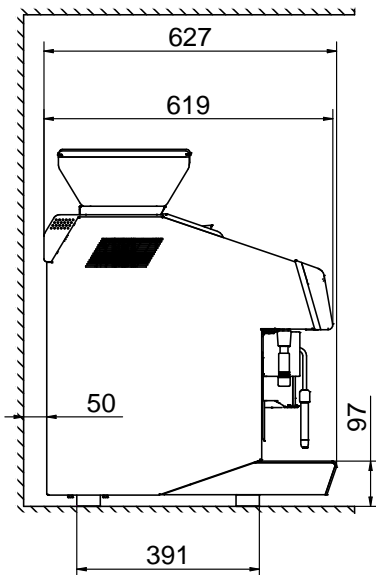
- TANGO hotel/breakfast service kit PNC 871022
- Coffee ground direct discharge chute PNC 871023
- Raised feet kit PNC 871041

**APPROVAL:** \_\_\_\_\_

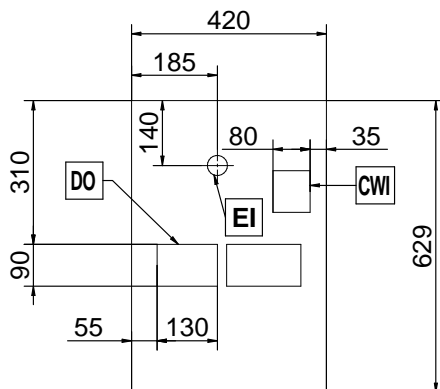
Front



Side



Top



### Electric

#### Supply voltage:

602559 (TANGOACEMT) 400 V/3N ph/50 Hz

#### Electrical power max.:

5.2 kW

#### Plug type:

Cable without plug

### Water:

#### Cold water temperature

(min/max): 5 / 60 °C

### Key Information:

External dimensions, Width: 448 mm

External dimensions, Depth: 627 mm

External dimensions, Height: 846 mm

Net weight: 91 kg

Shipping volume: 0.69 m<sup>3</sup>

### Sustainability

Current consumption: 7.5 Amps